

ScribeWriter® Force II ⌘ Marking tool for work piece scribing



With high pressure internal coolant



Mark It While You Make It.

- Scribing tool for CNC machines.
- For marking of different materials up to 62 HRC hardness, and surface variations up to 5mm.
- Fast marking without spindle rotation.
- Simple programming directly at the machine control or from the programmers work station using engraving software.
- Marking force and resulting depth are adjustable by turning the knurled sleeve.
- Easy to read marking force reference scale with high quality magnification lens from Thorlabs.
- Settings 0-7 for gradually increasing force up to setting H for marking the hardest materials. There is no need to change springs.
- With high pressure internal coolant capability for improved stylus lubrication and increased marking force.
- Simple to change, long life, carbide stylus. A 90° and 60° stylus are available.
- New ball point stylus option. The rolling ball creates very smooth lines, but depth is shallower in comparison to scribing points.



Marking force reference scale.

Turn to increase or decrease marking force.

Easy to exchange long life carbide stylus.

Setting 0-7 for marking all kinds of materials



Setting H for hard materials



Unique flexure technology for higher marking force without the need to change springs.

ScribeWriter® Force II

Marking tool for work piece scribing



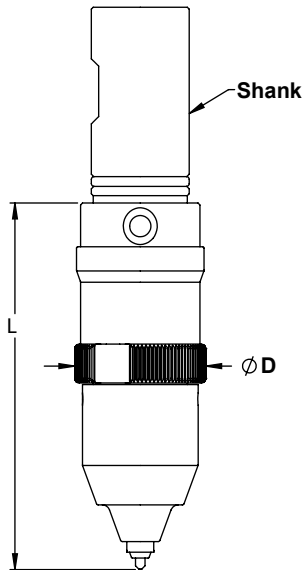
Example in 4140 pre heat treated material with hardness 28 HRC. Marking at different settings with 1.3 mm compression against the surface.



Example created with new ball point stylus in aluminum material.



Example marking a curved surface programmed at constant marking plane. Material is S7 tool steel heat treated to 60 HRC. Setting 'H' with 2mm compression at closest point on surface.



How to Order

Please select the ScribeWriter® with shank to fit your application. Please order CAT, SK, or BT shanks separately. The ScribeWriter® comes with one standard 90° stylus. A 60° stylus is also available.

Order code	Shank	L	Ø D
57601	1"	95	32
57625	25 mm	95	32
57620	20 mm	95	32
57616	16 mm	95	32

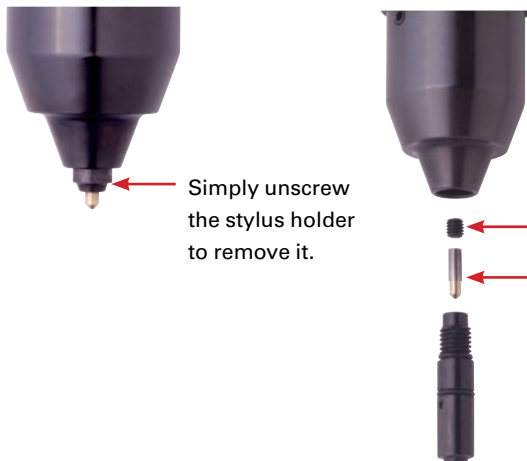
Note: To order the ScribeWriter with 60° stylus, please specify by adding "-60" to the above order codes. To order the ScribeWriter with a ball point stylus please specify by adding "-B" to the above order codes.

Standard Stylus Options

Order code	Stylus Point
7361608	90°
7361611	60°



Changing the stylus



Simply unscrew the stylus holder to remove it.

Remove the retaining screw.

The stylus can then be removed and changed.

Ball Point Stylus Options

Order code	Description
73602BN4A	Complete ball point assembly
71735C	2mm carbide ball

